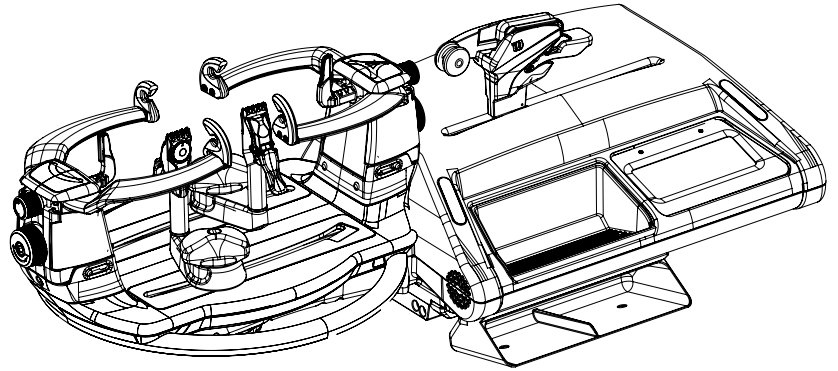




# **BAIARDO L**

**OPERATION MANUAL**



## *Congratulations on purchasing the Wilson Baiardo L stringing machine.*

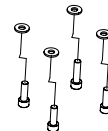
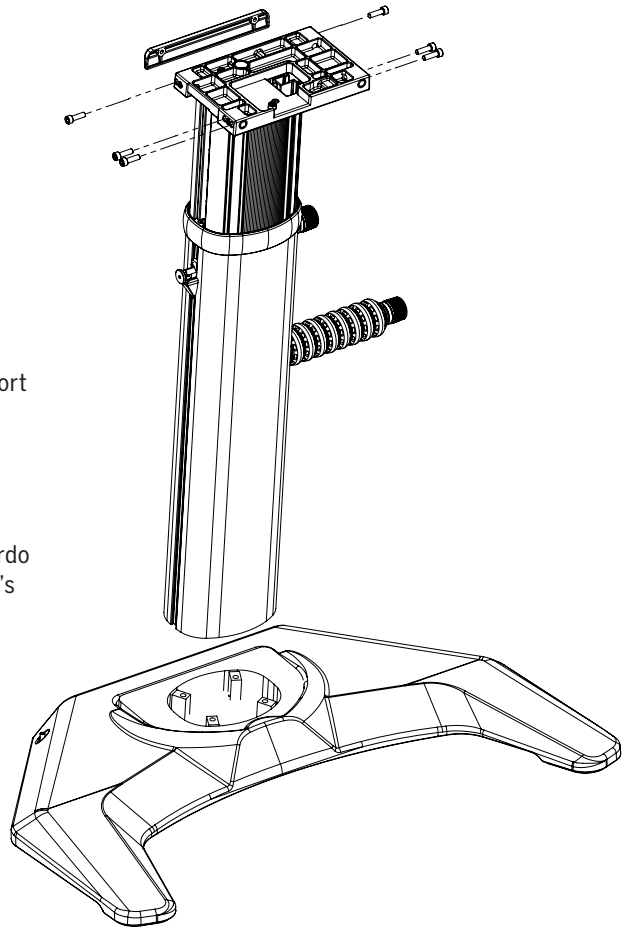
Built upon the architecture and design of the award-winning Wilson Baiardo machine, the Baiardo L offers a simpler, more lightweight option for stringers to use worldwide. Top features include:

- 20% lighter than original Wilson Baiardo
- Manual height and tilt adjustment for practical ergonomic design and comfort
- Mounting posts adjust inward to better accommodate badminton racquets
- Five-teeth clamps to maximize grip while minimizing string interference
- Reel rack on floor stand holds string reels for added convenience

This manual provides basic information about assembling and using your Baiardo machine. All directions (right, left, front, back, etc.) are given from the stringer's perspective during stringing. The assumption is made that the user has strung racquets and understands the basic operation of a stringing machine.

*Further information can be found at [www.wilson.com/baiardo](http://www.wilson.com/baiardo).*

Sincerely,  
Baiardo Development Team



# **BAIARDO L**

WARNINGS & PRECAUTIONS.....	3
ASSEMBLING THE MACHINE.....	3
DESCRIPTION OF PARTS .....	4
DESCRIPTION OF PARTS BADMINTON .....	4
START UP.....	5
POWER UP.....	5
BASICS.....	6
CLAMPS AND CLAMP BASES .....	7
TURNTABLE BRAKE.....	8
ADJUSTING THE PULLER HEAD .....	8
MACHINE HEIGHT ADJUSTMENT .....	9
FRICITION BRAKE.....	9
TILT ADJUSTMENT .....	10
DISPLAY INTERFACE .....	11
MAINTENANCE.....	16
SERVICE.....	17
TROUBLESHOOTING.....	19
WARRANTY INFORMATION .....	21
BAIARDO L SPECIFICATIONS.....	22

# WARNINGS & PRECAUTIONS



Save these instructions. Read all instructions before using the appliance.

Recommended for indoor use.

Recommended operating temperature is 10-40 °C, 50-104 °F

Keep all liquids away to reduce risk of electrical shock.

NEVER use if safety cover is missing or loose. Exposed moving parts could cause serious injury.

Never insert fingers or body parts into Motor Housing.

This machine is only to be powered by 24Vdc SELV power, such from the external power supply.

Extension cords should be chosen carefully and inspected regularly. Replace rather than repair.

Wilson will not be held liable for any damage (direct or indirect) caused by incorrect installation, poor maintenance, non-approved alterations or improper use. We will also not be held liable for failure to comply with safety standards for accidents, fire or the safety of electrical installations.

This appliance is not intended for use by persons (including children) with reduced physical, sensory or mental capabilities, or lack of experience or knowledge, unless they have been given supervision or instruction concerning use of the appliance by a person responsible for their safety.

Children are to be supervised so that they do not play with the product.

Make sure the stringing machine is always turned off before cleaning it or servicing one of its components. Unplug the power cable from the mains socket. Never wash the machine using water, a hose or high-pressure cleaning device.

Children should not clean or perform maintenance on the stringing machine.

Cleaning and maintenance should be done only as detailed in this manual or at [www.wilson.com/baiardo](http://www.wilson.com/baiardo)

# ASSEMBLING THE MACHINE

To assemble the machine, follow all steps listed on the included set-up guide in order.

To acquire a new or missing set-up guide, go to [www.wilson.com/baiardo](http://www.wilson.com/baiardo) to view or download a copy.

All parts are shown in the set-up guide. Contact your Wilson representative immediately if any parts are missing.

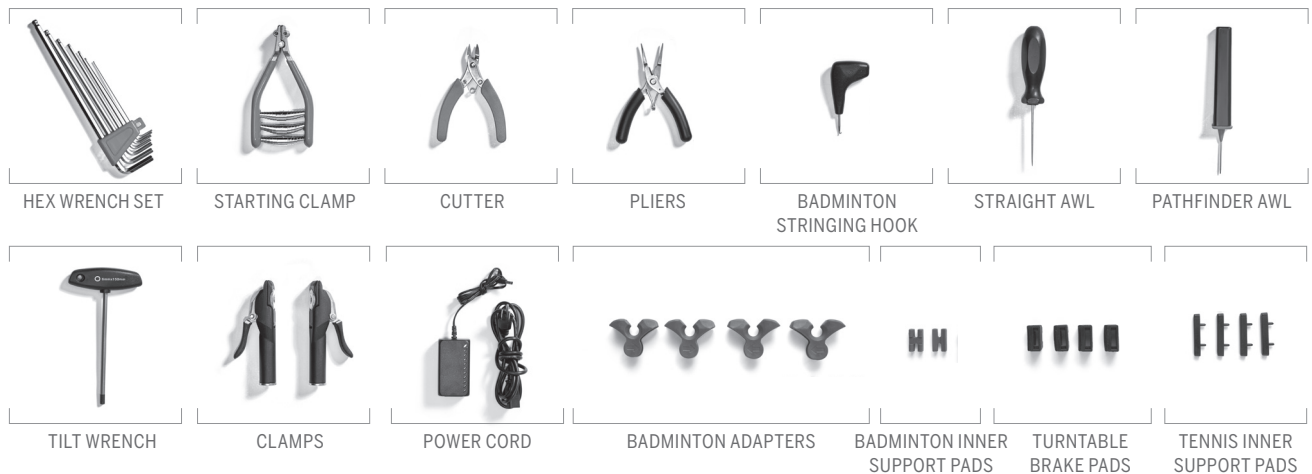
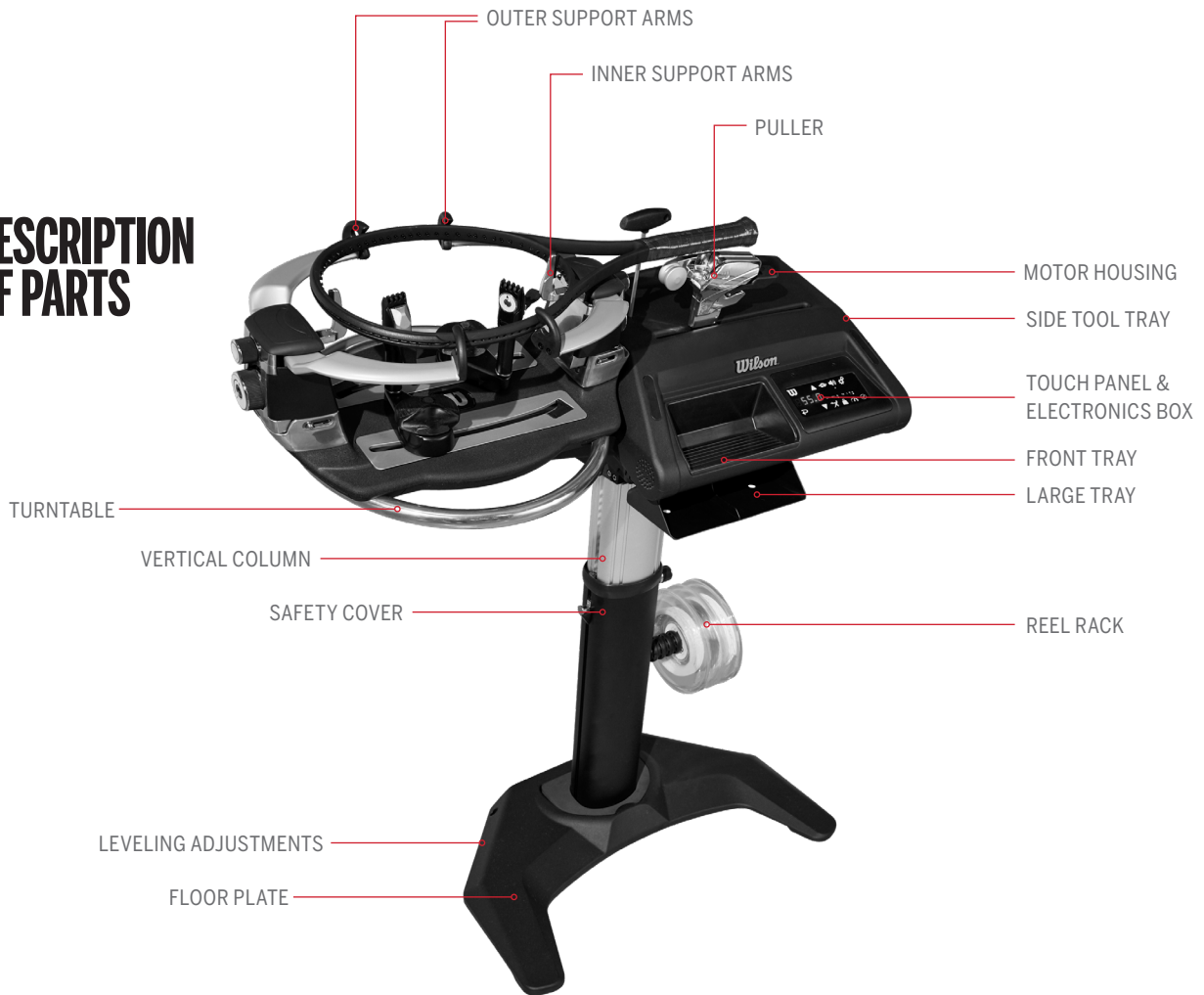
All tools for assembly are included.

Some steps require two people as noted in the set-up guide.

Use EXTREME caution until fully assembled.



# DESCRIPTION OF PARTS



# DESCRIPTION OF PARTS BADMINTON



# START UP

The red power switch is located on the right underside of the machine.



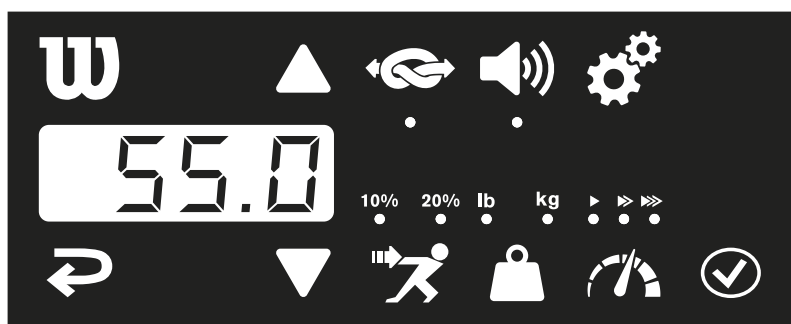
# POWER UP

While powering up, the display will count down:

9999 – 8888 – 7777 – 6666 – 5555 – 4444 – 3333 – 2222 – 1111 – 0000

Puller head will move back and forth one time on puller track.

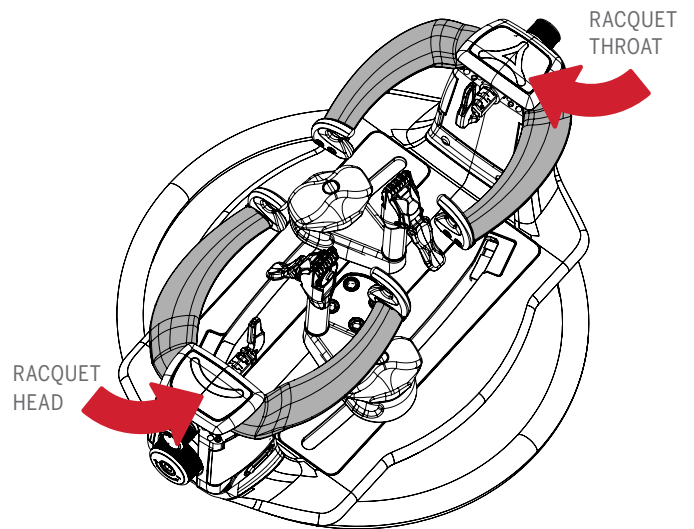
Display will show:



# BASICS

## MOUNTING SYSTEM

- Six-point mounting system prevents frame distortion.
- There is a small distinction between the racquet head and throat placement.
- Accommodates tennis, racquetball & squash rackets.
- Badminton racquets require use of the included adapter kit.
- Various sizes of inner support pads are included to adjust fit.
- Knobs on mounting posts turn clockwise to tighten and counterclockwise to loosen.
- Do not over-tighten.

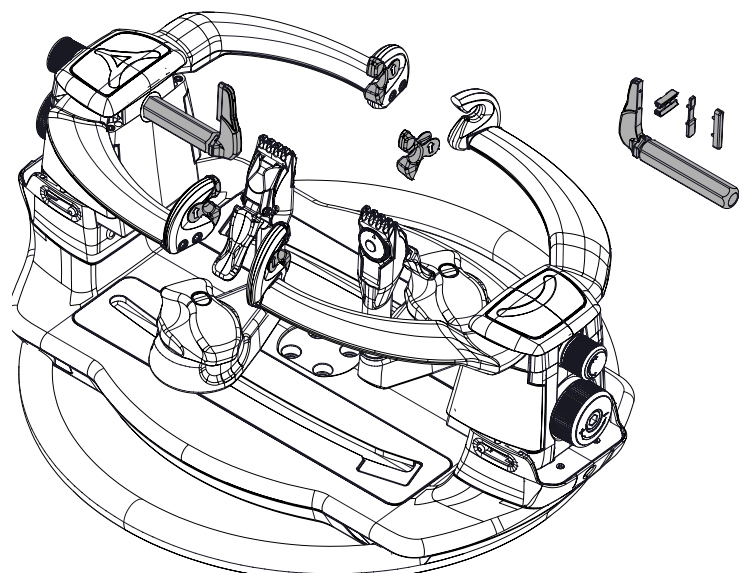
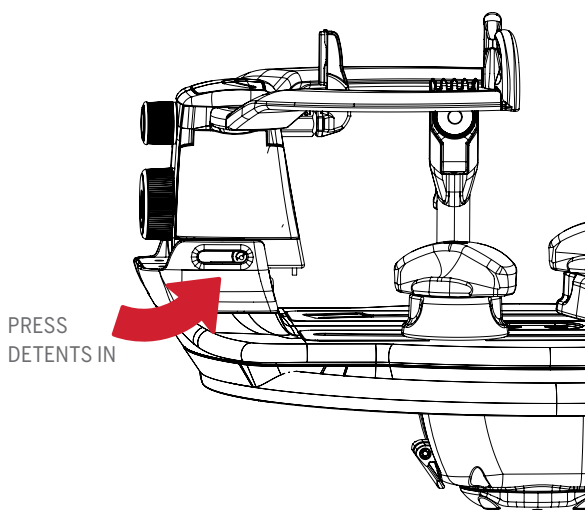


## BADMINTON ADAPTERS

Adapters are included and should be used when stringing badminton racquets.

### Set-up:

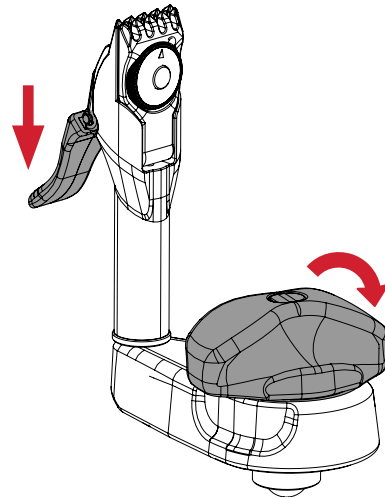
- Press detents for mounting post to spring forward into badminton position.
- Place the 4 badminton adapters over the outer supports as shown. Make sure the arrows are pointing up.
- Press detents and push mounting post backward to revert to tennis position.



# CLAMPS AND CLAMP BASES

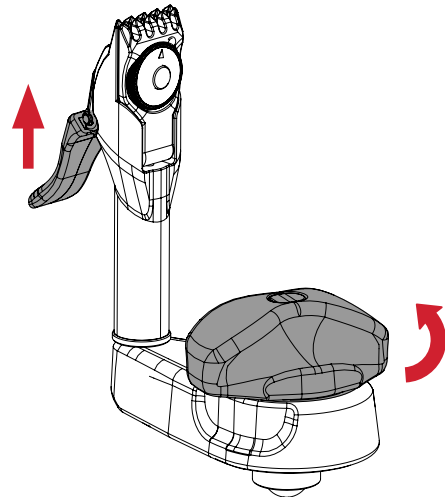
## ENGAGING THE CLAMP AND CLAMP BASE

- Position clamp on string.
- Push down clamp lever.
- Turn clamp base lever clockwise until tight.



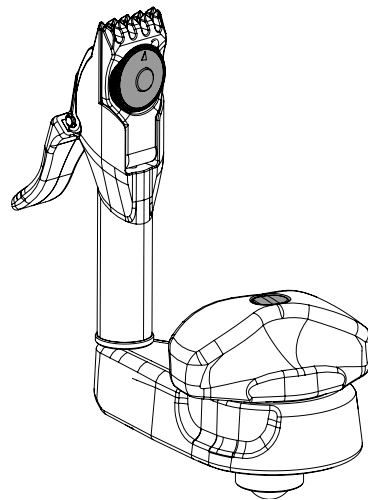
## RELEASING THE CLAMP AND CLAMP BASE

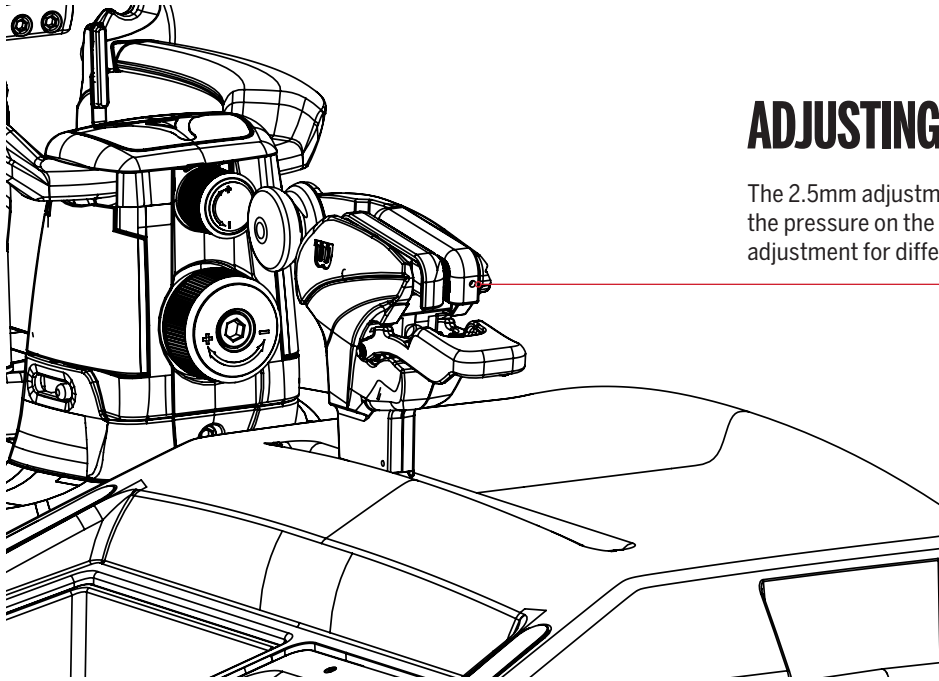
- Lift the clamp lever up.
- Turn clamp base lever counterclockwise.



## ADJUSTING THE CLAMP AND CLAMP BASE

- Turn knob by clamp teeth to apply proper pressure to string.
- Clamp base is factory set to proper setting.
- Over time, the clamp base may require adjustment. Remove clamp base lever from top using adjustment screw.
- Make slight adjustments of not more than 1/8 turn at a time.



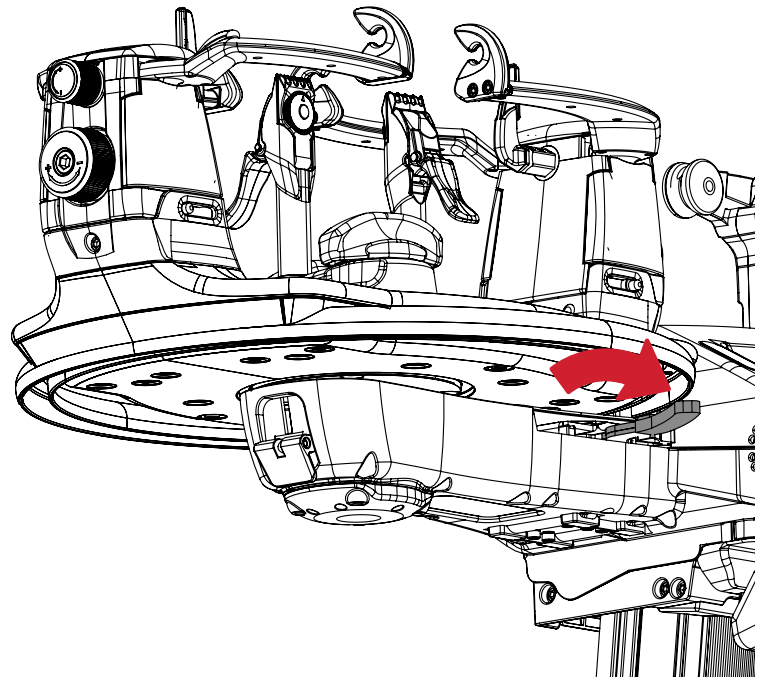


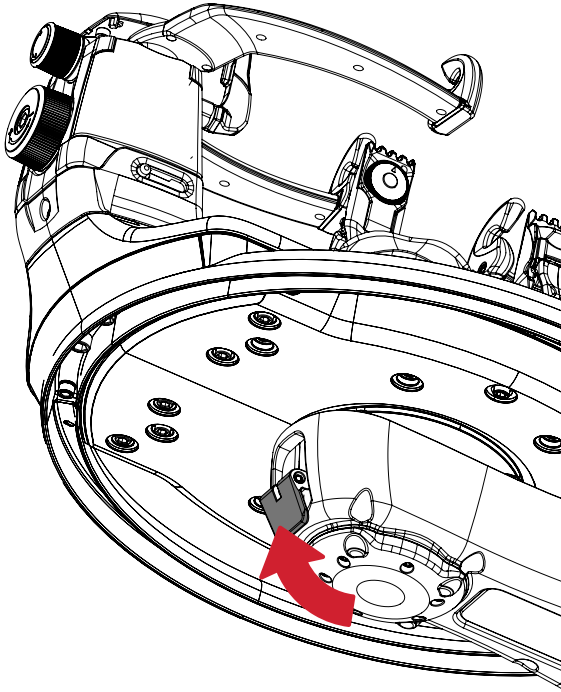
## ADJUSTING THE PULLER HEAD

The 2.5mm adjustment screw can increase or decrease the pressure on the string in the puller head. Use this adjustment for different string diameters.

## TURNTABLE BRAKE

The brake activation handle is under the right side of the turntable. Pull to activate and lock the turntable in place.

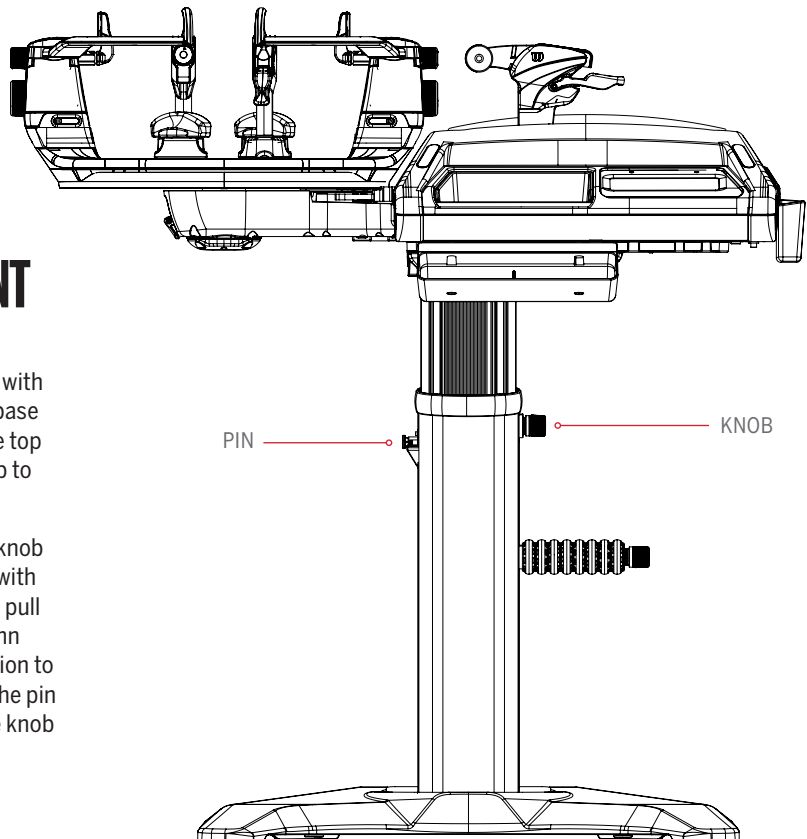




## FRICION BRAKE

Engage friction brake when tilted for appropriate turntable movement.

Switch is located on the left side under the turntable.



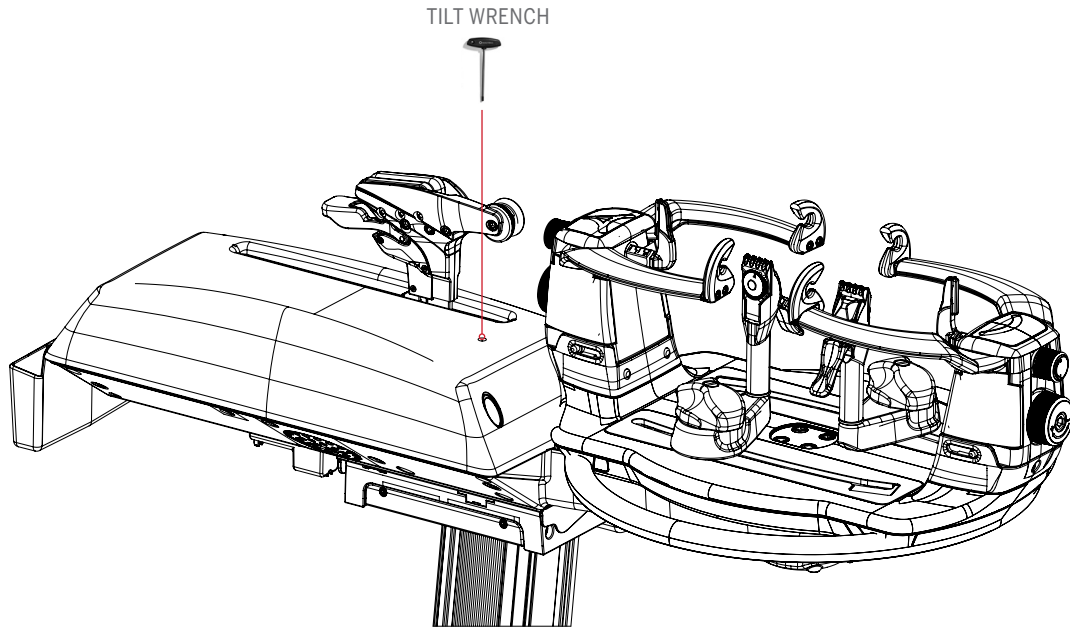
## MACHINE HEIGHT ADJUSTMENT

To raise the height of the machine, loosen the knob located on the right side of the base column and lift with the help of a partner. The pin on the left side of the base column will click into place and prevent the machine top from dropping down unexpectedly. Tighten the knob to then set the position at desired height.

To lower the height of the machine, first loosen the knob located on the right side of the base column. Then, with a 2nd person supporting the weight of the machine, pull out the pin located on the left side of the base column and turn so that it rests against its socket. Use caution to lower the machine to the desired height, then turn the pin so it clicks back into place when secure. Tighten the knob to then set the position.

Height at maximum extension: 130.4 cm / 51.3 in\*

Height at minimum extension: 100.4 cm / 39.5 in\*



## TILT ADJUSTMENT

The Baiardo L allows the user to manually adjust the machine's tilt.

To adjust machine tilt, use the 6mm x 150mm Allen wrench provided with the machine. Insert wrench into the hole on top of machine, located between the turntable and puller head.

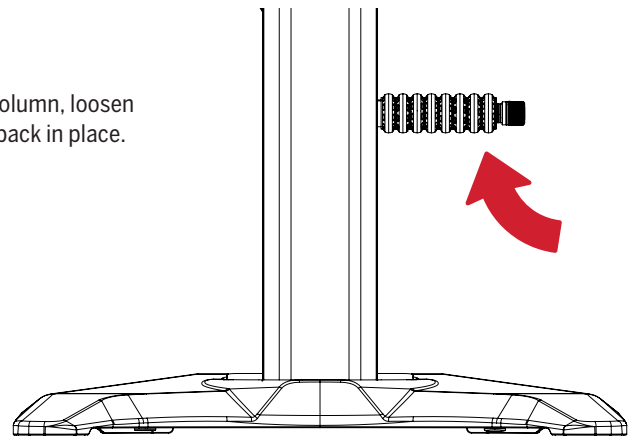
Turn the wrench counterclockwise to tilt the machine toward the user. Turn the wrench clockwise to tilt the machine away from the user.

Generally, the user should:

- Have the machine sit flat when mounting
- Rise and tilt the upper portion toward the user when installing the mains
- Additionally rise and tilt the upper portion forward when installing the crosses.

## ADDING STRING TO REEL RACK

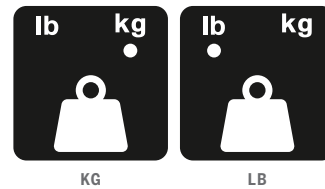
To add reel of string to the rack attached to the right side of the base column, loosen the knob and insert reel between spacers. Tighten the knob to secure back in place.



# DISPLAY INTERFACE

## KG/LBS

Toggle between LB and KG by pressing weight button for 3 seconds. The delay is to avoid LB/KG by accident.

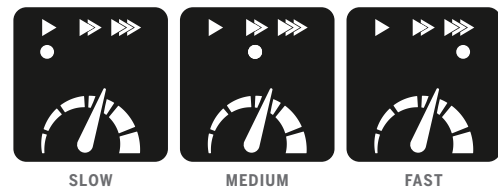


The display will now show the alternative unit of weight, as indicated by the LED light under LB or KG.



## PULLER SPEED

Select any of 3 pulling speeds by touching the speed icon and toggling between speeds.



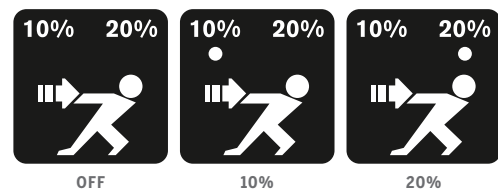
## SOUND

Turn buzzer sound on or off by touching the sound icon. The LED light under the sound button lights up while the sound is turned on.



## PRE-STRETCH

Adjust the amount of pre-stretch by a percentage. Touch icon to toggle between 0%, 10% and 20%.

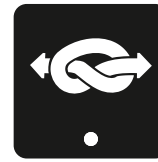




## KNOT TENSIONING

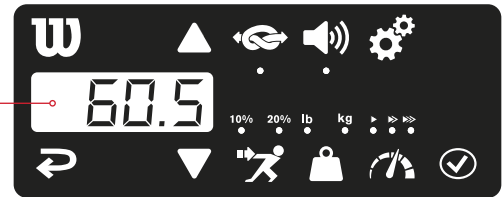
Touch the knot button to tie off with 10% extra tension. After touching the knot button, display will show the 10% extra tension to be pulled.

The LED light under the knot button lights up until the string is tensioned. This function works for a single time only.



ON

DIGITAL DISPLAY

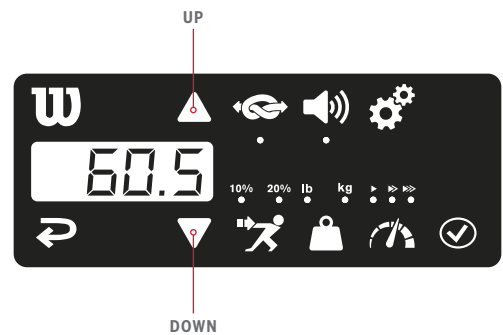


## TENSION DISPLAY

Set tension with Up / Down buttons.

Tension change is in increments of 0.5 LB or 0.5 KG.

Press the button longer to increase scrolling speed.



## OTHER SETTINGS

Hold settings button for 3 seconds to bring up various other settings for the machine. To go to next setting, touch the UP button once. Quit settings at any time by touching BACK button.

There are 6 functions of other settings:

- F1: Calibrate machine
- F2: Reset to default factory calibration
- F3: Reserved for future use
- F4: Adjust sensitivity of all touch buttons
- F5: Display quantity of rackets strung
- F6: Exit the settings

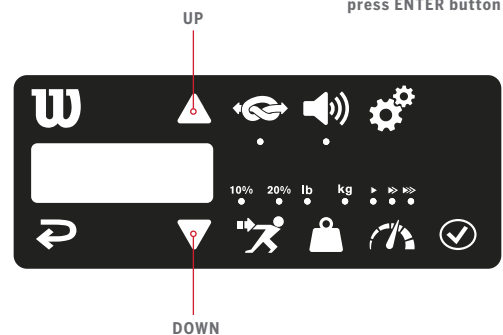


SETTING

BACK

ENTER

To select setting, press ENTER button



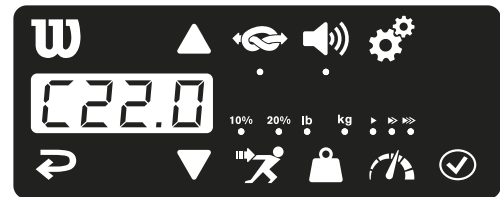
DOWN

## F1: CALIBRATE MACHINE

After holding setting button for 3 seconds, the first setting displayed is calibration.

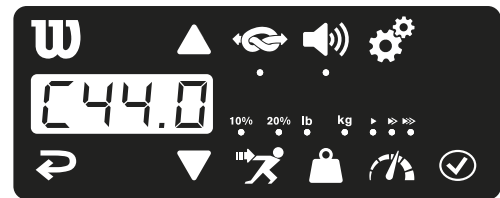
### Steps to calibrate:

1. To calibrate the machine, a tension meter must be mounted. Start from screen above.
2. Pull a string. Check the value on tension meter.
3. Adjust tension displayed on machine with UP/DOWN buttons to match tension on string tension meter.
4. Push ENTER to confirm.



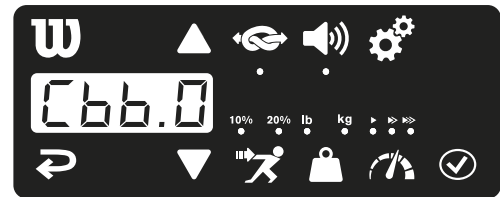
### Now, display shows:

5. Pull a string. Check the value on tension meter.
6. Adjust tension displayed on machine with UP/DOWN buttons to match tension on string tension meter.
7. Push ENTER to confirm.



### Now, display shows:

8. Pull a string. Check the value on tension meter.
9. Adjust tension displayed on machine with UP/DOWN buttons to match tension on string tension meter.
10. Push ENTER to confirm.



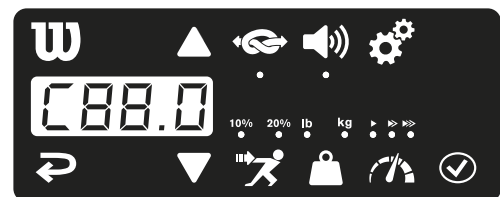
### Now, display shows:

11. To confirm and finish calibration, push ENTER button.

### Calibration is now complete.

After you adjust all settings, the computer will automatically calibrate your machine based on the 4 numbers you gave it. Your machine will now be calibrated to your device.

\* Note: In KG mode, displayed numbers will be 10, 20, 30 and 40 respectively.

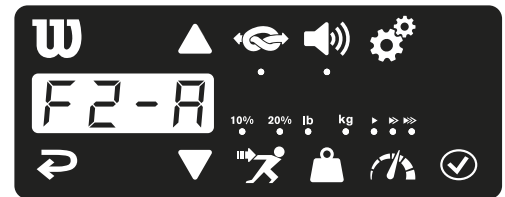


## F2: RESET TO DEFAULT FACTORY CALIBRATION

To go to next setting after calibration, touch UP button once. Screen will display:

This function resets the calibration of machine to original factory calibration.

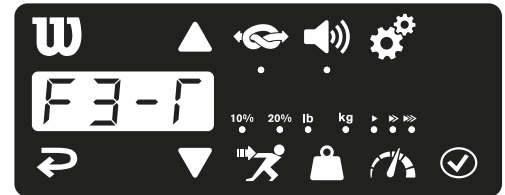
To do so on this screen, simply touch ENTER. The machine is now reset to original factory calibration.



## F3: SKIP – RESERVED FOR FUTURE USE

To go to next setting, touch UP button once. Screen will display:

This function is reserved for future use.



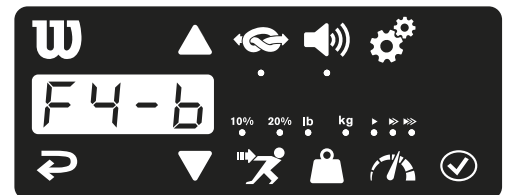
## F4: ADJUST TOUCH BUTTON SENSITIVITY

To go to next setting, touch UP button once. Screen will display:

This function shows and adjusts sensitivity of all touch buttons. **WARNING:** do not adjust this setting unless sensitivity of touch panel makes machine hard to use.

To adjust sensitivity, use the UP/DOWN buttons. The range of sensitivity is on a scale of 0 – 7. For least sensitive setting, select 7. For most sensitive setting, select 0. If set at 0, the touch buttons may be so sensitive that they only work with an airgap between touch panel and finger.

After modification, confirm new sensitivity selection by pushing ENTER button. To rescind sensitivity selection, push BACK button.

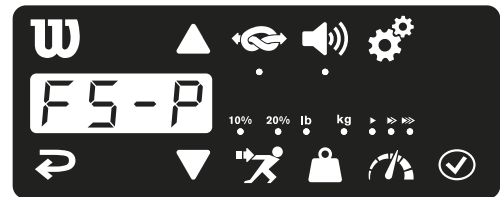


## F5: DISPLAY RACKETS STRUNG

To go to next setting, touch UP button once. Screen will display:

This function displays the approximate number of rackets strung. Press ENTER button to view.

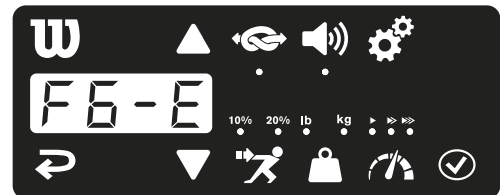
\* Note: Machine counts 38 strings pulled as 1 racket strung.



## F6: EXIT SETTINGS

To go to next setting, touch UP button once. Screen will display:

This function exits the settings. Press ENTER button to exit.



# MAINTENANCE

## CLEANING THE CLAMP TEETH

- Soak an old toothbrush or shoelace in rubbing alcohol.
- Run the cleaning utensil through the clamp teeth.
- Allow to dry.
- Repeat every 1,000 pulls. Refer to Total # of pulls and divide by 38 for count.

## CLEANING THE PULLER INNER SURFACE

- Soak an old toothbrush or shoelace in rubbing alcohol.
- Run the cleaning utensil through the puller inner surface.
- Allow to dry.
- Repeat every 1,000 pulls. Refer to Total # of pulls and divide by 38 for count.

## CLEANING THE GLIDE RAILS

- The glide rails should be cleaned with a soft cloth dampened with alcohol.
- Run the cloth over the glide rails and inside the rail to remove and debris.

## CLEANING THE DISPLAY

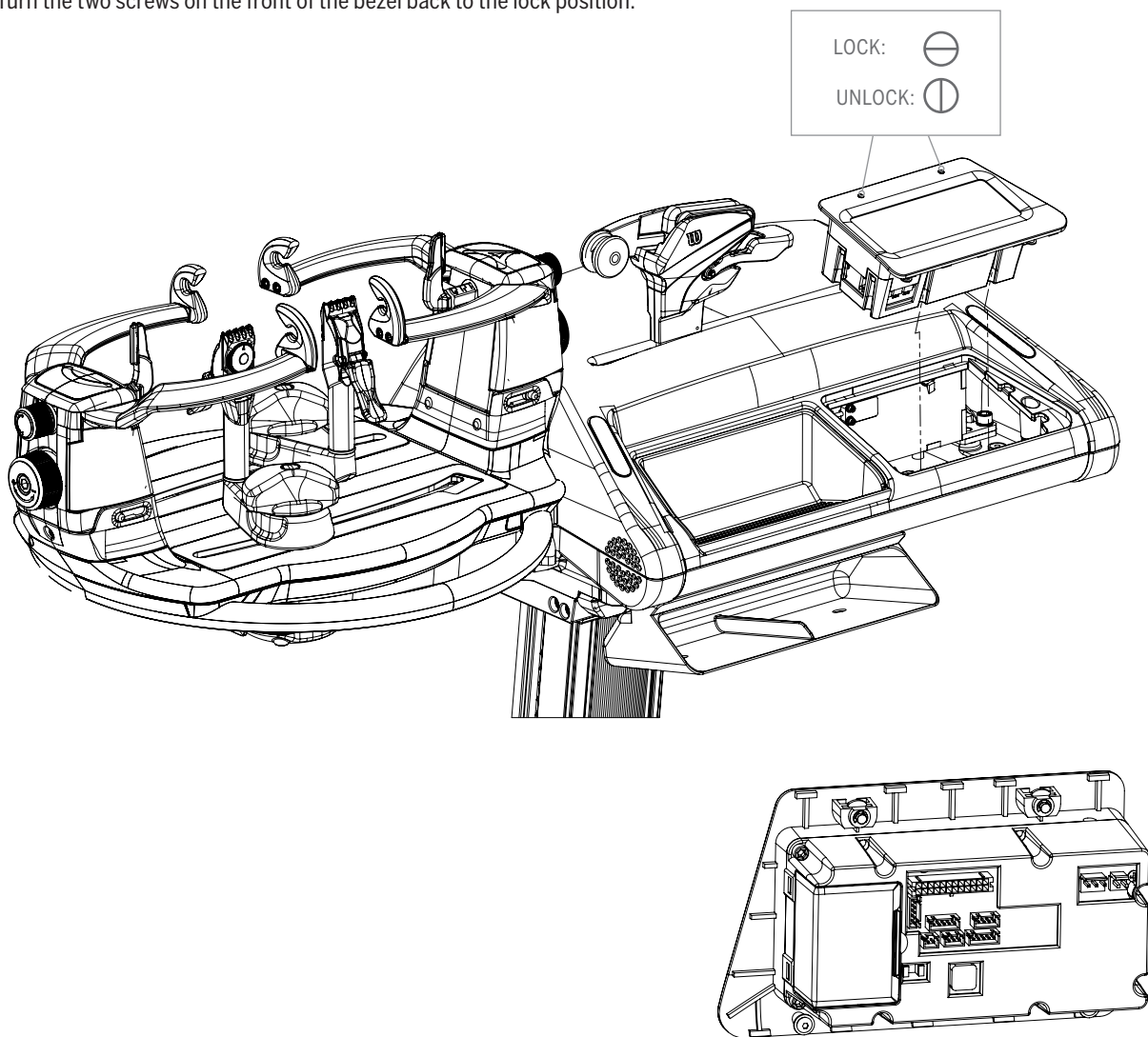
- Gently wipe the touch screen with a CLEAN, DRY cloth.
- DO NOT put water or other liquids on the screen.

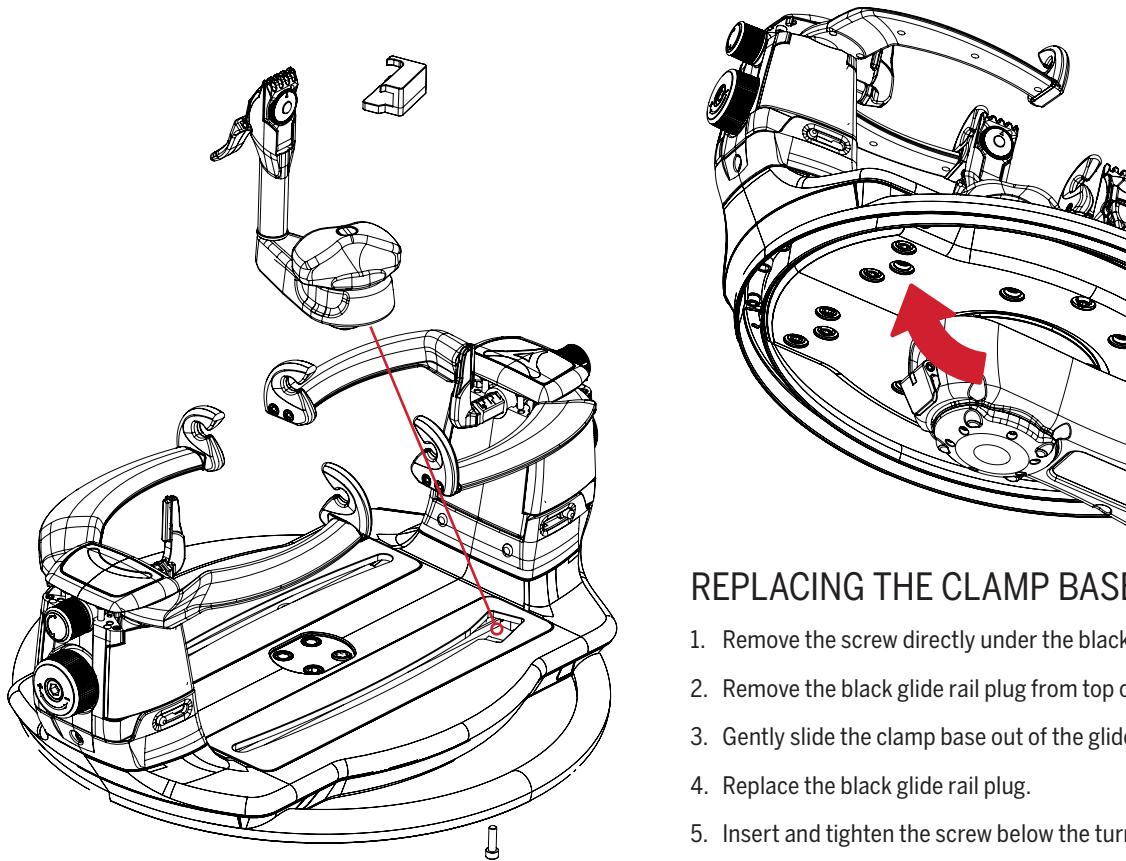
# SERVICE

## REPLACING THE ELECTRONIC BOX

**If the electronics box fails, it can easily be removed and replaced. Please follow the below steps:**

1. Turn the two screws on the front of the bezel just above the touch panel to the unlock position with a flat head screwdriver.
2. Gently remove the electronics box. Be careful to not damage the electronics cords
3. Remove the four connectors.
4. To insert a new electronics box, reconnect the connectors.
5. Gently set the electronics box back into its location.
6. Turn the two screws on the front of the bezel back to the lock position.



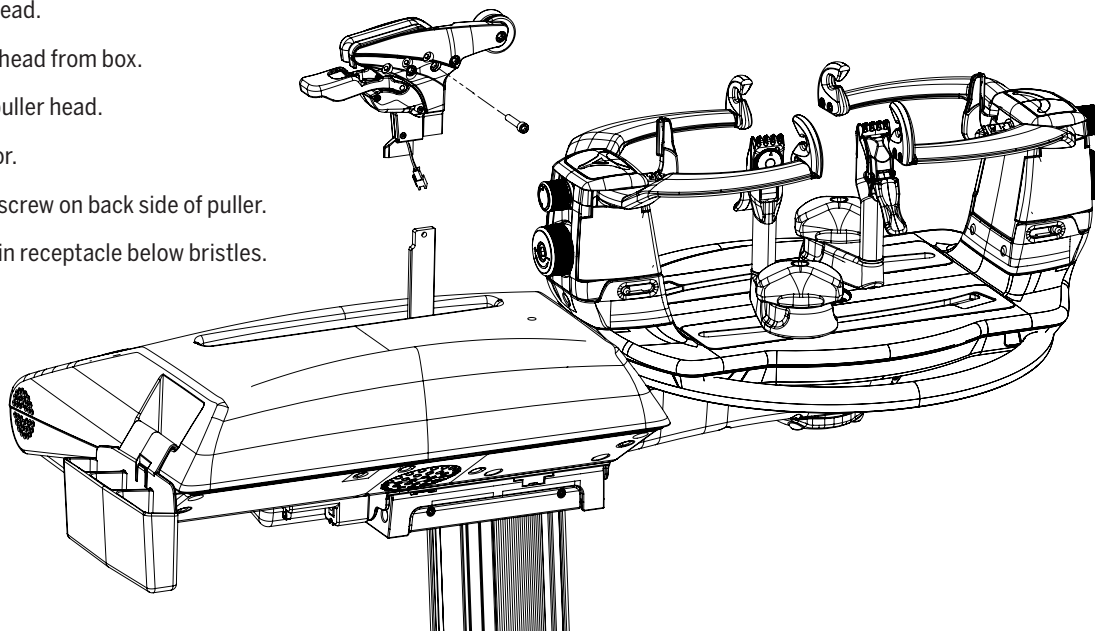


## REPLACING THE CLAMP BASE

1. Remove the screw directly under the black glide rail plug.
2. Remove the black glide rail plug from top of glide rail.
3. Gently slide the clamp base out of the glide rail.
4. Replace the black glide rail plug.
5. Insert and tighten the screw below the turntable.

## REPLACING THE PULLER HEAD

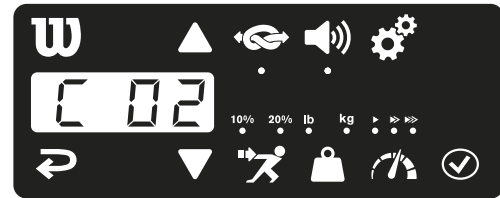
1. Remove middle screw on back side of puller head
2. Gently lift puller head straight up. Pay attention to wire.
3. Disconnect connector.
4. Remove puller head.
5. Take new puller head from box.
6. Gently replace puller head.
7. Attach connector.
8. Replace middle screw on back side of puller.
9. Hide connector in receptacle below bristles.



# TROUBLESHOOTING

Error codes will be displayed when a problem occurs. The most common error codes and recommended solution(s) are listed in the table with other common problems and solutions.

Many error codes can be solved by turning off the machine, checking connections and restarting.



PROBLEM	SOLUTION
<b>Baiardo L will not turn on</b>	<ul style="list-style-type: none"> <li>• Check that machine is plugged into wall outlet</li> <li>• Check that power supply is fully connected and LED on power supply is solid green</li> <li>• Remove electronics box and check that all 3 connections are mad</li> </ul>
<b>Power supply LED is off or flashing green</b>	<ul style="list-style-type: none"> <li>• The power supply has a short circuit or is dead. Call dealer for a new power supply.</li> </ul>
<b>Puller head does not move when activator switch is pressed</b>	<ul style="list-style-type: none"> <li>• Check that the wire on bottom of puller is connected (see pg. 18)</li> </ul>
<b>Baiardo L is not stable</b>	<ul style="list-style-type: none"> <li>• Move the machine to a level surface</li> <li>• Adjust leveling screws in floor plate</li> </ul>
<b>String slips through clamp teeth</b>	<ul style="list-style-type: none"> <li>• Adjust clamp (see pg. 7)</li> <li>• Clean inner surface of clamp to remove build-up of lubrication from string</li> </ul>
<b>String slips through puller</b>	<ul style="list-style-type: none"> <li>• Adjust puller (see pg. 8)</li> <li>• Clean inner surface of puller to remove build-up of lubrication from string</li> </ul>
<b>Clamp base slips on glide rail when “locked”</b>	<ul style="list-style-type: none"> <li>• Adjust clamp base (see pg. 7)</li> <li>• Clean glide rail</li> <li>• Remove clamp base from glide rail (see pg. 7) and clean brass plug that normally sits below glide rail</li> </ul>



PROBLEM	SOLUTION
<b>String tension seems lower than normal</b>	<ul style="list-style-type: none"> <li>• Check that string is not slipping through clamps</li> <li>• Calibrate machine (see pg. 13)</li> </ul>
<b>String seems tighter than normal</b>	<ul style="list-style-type: none"> <li>• Calibrate machine (see pg. 13)</li> </ul>
<b>Clamps leave white marks on string</b>	<ul style="list-style-type: none"> <li>• This is normal on some multifilament strings.</li> <li>• Clean and adjust clamps to slightest pressure that still grabs string.</li> <li>• Be sure to adjust clamps for different diameters of string</li> </ul>
<b>The hex key set is lost</b>	<ul style="list-style-type: none"> <li>• The hex keys are standard metric set and can be purchased at many tool shops</li> </ul>
<b>An error code is displayed on the screen</b>	<ul style="list-style-type: none"> <li>• Turn off the machine, wait several minutes and restart</li> <li>• Call Wilson. Be sure to have noted the number of the error code.</li> </ul>

# WARRANTY INFORMATION

## WARRANTY COVERAGE

Wilson Sporting Goods Co. ("Wilson") warrant to the original purchaser that the Baiardo L stringing machine purchased is free from defects in materials and workmanship for a period of three (3) years from the date of original purchase for puller head motor and for a period of one (1) year from the date of original purchase for all other parts ("Warranty Period"). Should any defects covered by this warranty develop under normal use within the Warranty Period, Wilson will at its option, replace parts, repair or replace the defective Equipment. If a parts defect arises and a valid claim is received within the Warranty Period, at its option Wilson will either exchange the part with a new, used or refurbished part that is at least functionally equivalent to the original part. A replacement part assumes the remaining warranty of the original purchase or ninety (90) days from the date of replacement, whichever provides longer coverage for you. This warranty does not apply to any damage or defect caused by negligence, abuse, misuse, unauthorized alternation, corrosive environments, moisture, high voltage surges from external sources, shipping, handling, or part wear and tear as a result of normal use. Any parts or boards removed in the replacement or remanufacture process shall become the property of Wilson. This warranty is extended to the original end user purchaser only and is not assignable or transferable to any other party.

Routine maintenance, adjustment and cleaning are required to ensure proper operation and are the responsibility of the purchaser and are not covered under the terms of this warranty.

Wilson's obligation under this warranty is limited to replacement parts repair or replacement of defective Equipment, and no one is authorized to promise any other liability or warranty. Wilson will not be liable to you or anyone else for any damages that result from the failure of this Equipment or from the breach of any express or implied warranties including, without limitation, damage to other equipment, lost profits, or consequential, incidental, or punitive damages. In no event will Wilson be liable for any amount greater than the currently suggested retail price of this Equipment. The written warranty represents the entire warranty regarding this Equipment. This warranty is given in lieu of all other warranties, express or implied, including without limitation implied warranties of merchantability and fitness for a particular purpose. This warranty is limited to the Warranty Period. No warranties, either express or implied, will apply after the Warranty Period. This warranty gives you specific legal rights and you may also have other rights, which vary, from state to state. Some states do not allow limitations on how long an implied warranty lasts, so the above limitation may not apply to you.

## OBTAINING WARRANTY SERVICE AND PARTS

Please review this manual or the online help resources referred to in this documentation posted at [www.wilson.com/baiardo](http://www.wilson.com/baiardo) before seeking warranty service. If the part is still not functioning properly after making use of these resources, please contact your local Wilson customer service representative for replacement part or Equipment. Additional contact information can be found in the contact section [www.wilson.com/baiardo](http://www.wilson.com/baiardo). Only Wilson customer service or a Wilson authorized service center can determine whether the part or Equipment is covered by this warranty and if covered will assist in providing warranty service. Wilson has the right to use a 3rd party to perform repair service in lieu of shipping and returning a machine for replacement.

Warranty service applies to parts that are tendered or presented for service during the Warranty Period as permitted by law. Subject to applicable law you will be required to furnish proof of purchase details before receiving warranty service (NOTE: Proof of purchase from auction sites such as ebay, uBid, Overstock, etc. will not be accepted, as this warranty does not apply to Equipment purchased from such auction sites). Warranty service may be restricted to the country where purchased. Service options, parts availability and response times will vary according to country and you may be responsible for shipping and handling charges if the part cannot be serviced in the country it is in. Wilson reserves the right to change this warranty without prior written notice.

This product is in conformity with the provisions of the following:

Safety of Household and Similar Electrical Appliances

[IEC 60335-1:2010, COR1:2010, COR2:2011, AMD1:2013, COR1:2014, AMD2:2016,

COR1:2016; EN 60335 1:2012 + AC:2014 + A11:2014 + A13:2017; EN 62233:2008 + AC:2008]

The Technical Construction File required by these Directives are maintained at the corporate headquarters of Wilson Sporting Goods Co., Chicago, IL 60601

# BAIARDO L SPECIFICATIONS

Assembled weight: 43.6 KG / 96.2 lb

Width: 104 cm/41 in

Height at maximum extension: 130.4 cm/51.3 in

Height at minimum extension: 100.4 cm/39.5 in

Angle of stand: 7 degrees

Power supply: External switching, 100-240 volts (60 watts)

Machine top box size: L118.5 x W53.5 x H50 cm / L46.5 x W21 x H19.5 in

Machine top box weight: 44.7 KG/98.5 LBS

Machine base box size: L82 x W57.5 x H30 cm/L32.5 x W22.5 x H12 in

Machine base box weight: 12.7 KG/28 LBS

Main material: Aluminum (25% recycled)

Included stringing tools: Starter clamp, Needle nose pliers, Cutter, Awl

Included assembly tools: All necessary hex keys



For further information, please log on to [www.wilson.com/baiardo](http://www.wilson.com/baiardo)